

# AQUADRUM - PFS

## PACKAGED FINE SCREENING SYSTEM

In 1992, Aquatec Maxcon realised clients required a package fine screen providing state of the art drum-screening technology in a stand alone unit. The screen would provide the fine-screening of a wastewater stream to remove unwanted solids.

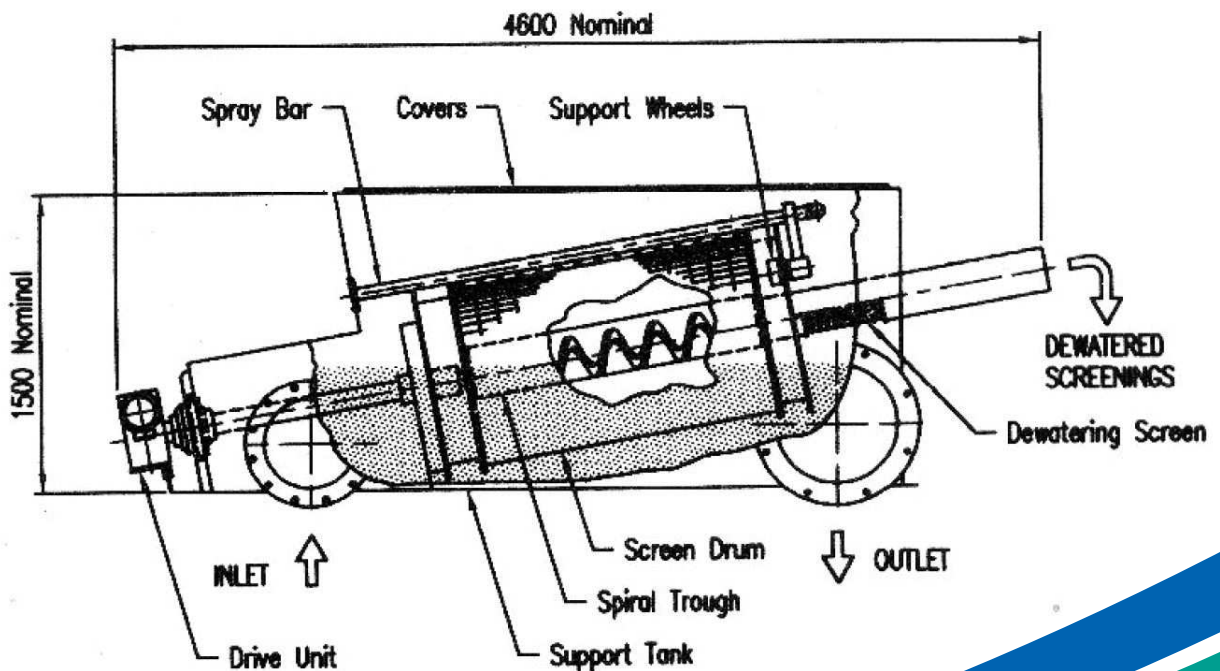
AQUADRUM-PFS complements Aquatec Maxcon's range of fine screens by being smaller than our AQUADRUM-ICT, effective for flows too large for screw-type screens.

The screening drum can be configured to provide a range of wedgewire apertures from 0.25mm to 10mm (or perforated hole apertures from 1mm to 6mm), to screen flows up to 350 L/s. The actual size determined will be dependent on your specific requirements.

### AQUADRUM-PFS PROVIDES YOU WITH A PACKAGED FINE SCREENING SYSTEM

#### DESIGN ADVANTAGES

- Package design with no concrete or civil works required.
- Self cleaning screen eliminates blinding and stapling common to alternate screening methods.
- Inlet and outlet locations and screening discharge point are available for variations to suit your site specific conditions.
- Tested and proven design.
- Self contained, sealing in odours and spray.
- Accepts gravity or pumped flows.
- Only one gearmotor required to drive both drum and screening conveyor.
- Gearmotor and drive mechanism is located well away from splash areas, eliminating most drive maintenance.
- Complete with cover to reduce odour.



AQUADRUM-PFS, ELEVATION



Aquatec Maxcon

Group

# IT IS AS SIMPLE AS CONNECTING POWER AND INLET/OUTLET PIPES AND TURNING ON THE FLOW

## DESIGN FEATURES

Flow enters the chamber inlet through the floor or wall where it then passes to the inside of the rotating wedgewire drum.

Screenings trapped by the screening drum are lifted by the rotating drum to fall into the centrally located screenings trough containing a shaftless screw conveyor. Screened flow passes through to the outside of the drum.

The screw conveyor transports and dewateres screenings towards the trough outlet at the rear of the screen.

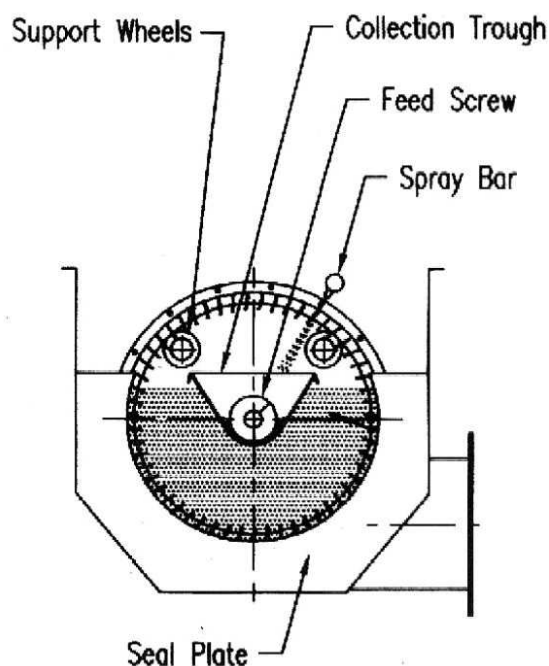
Screened effluent passes around the sides and underneath the wedgewire drum to discharge under gravity flow to an outlet.

- Fabricated from full 304 or 316 grade stainless steel. Also available in exotics such as Hastelloy C.
- Cleaning of the screen drum is via timed application of water or recycled effluent through special spray nozzles.
- Screen can be operated by timer or flow sensors.
- Electronic garmotor overload protection is standard for AQUADRUM-PFS.

## APPLICATIONS

- Sewage treatment plant inlet
- Water treatment plant inlet
- Sewage plant overflows
- Stormwater overflows
- Sewer surcharges
- Industrial screenings
- Sludge Screening
- Sewage harvesting plants

The manufacturer reserves the right to alter performance, specification or design without notice.



**AQUADRUM - PFS, SECTION**



**AQUATEC MAXCON**

Brisbane  
Head Office and Factory  
119 Toongarra Road  
Ipswich Q 4305 AUS  
P: +61 (0) 7 3813 7100  
F: +61 (0) 7 3813 7199

Sydney  
Office and Factory  
8 Charles Street  
St Marys NSW 2760 AUS  
P: +61 (0) 2 8603 5200  
F: +61 (0) 2 8603 5299

Melbourne  
Office and Factory  
6/64 Oakover Road  
Preston VIC 3072 AUS  
P: +61 (0) 3 9480 8000  
F: +61 (0) 3 9480 8099